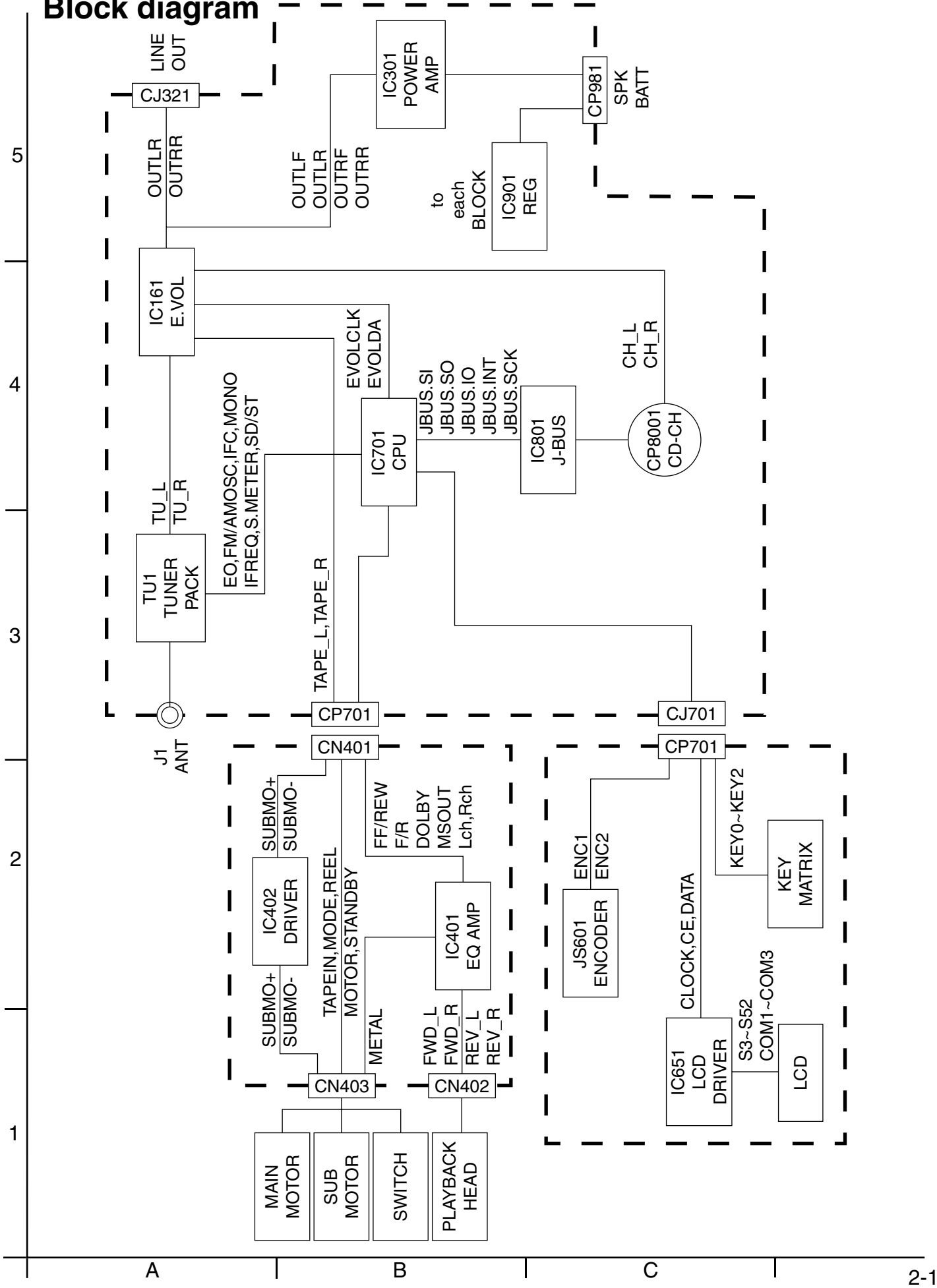


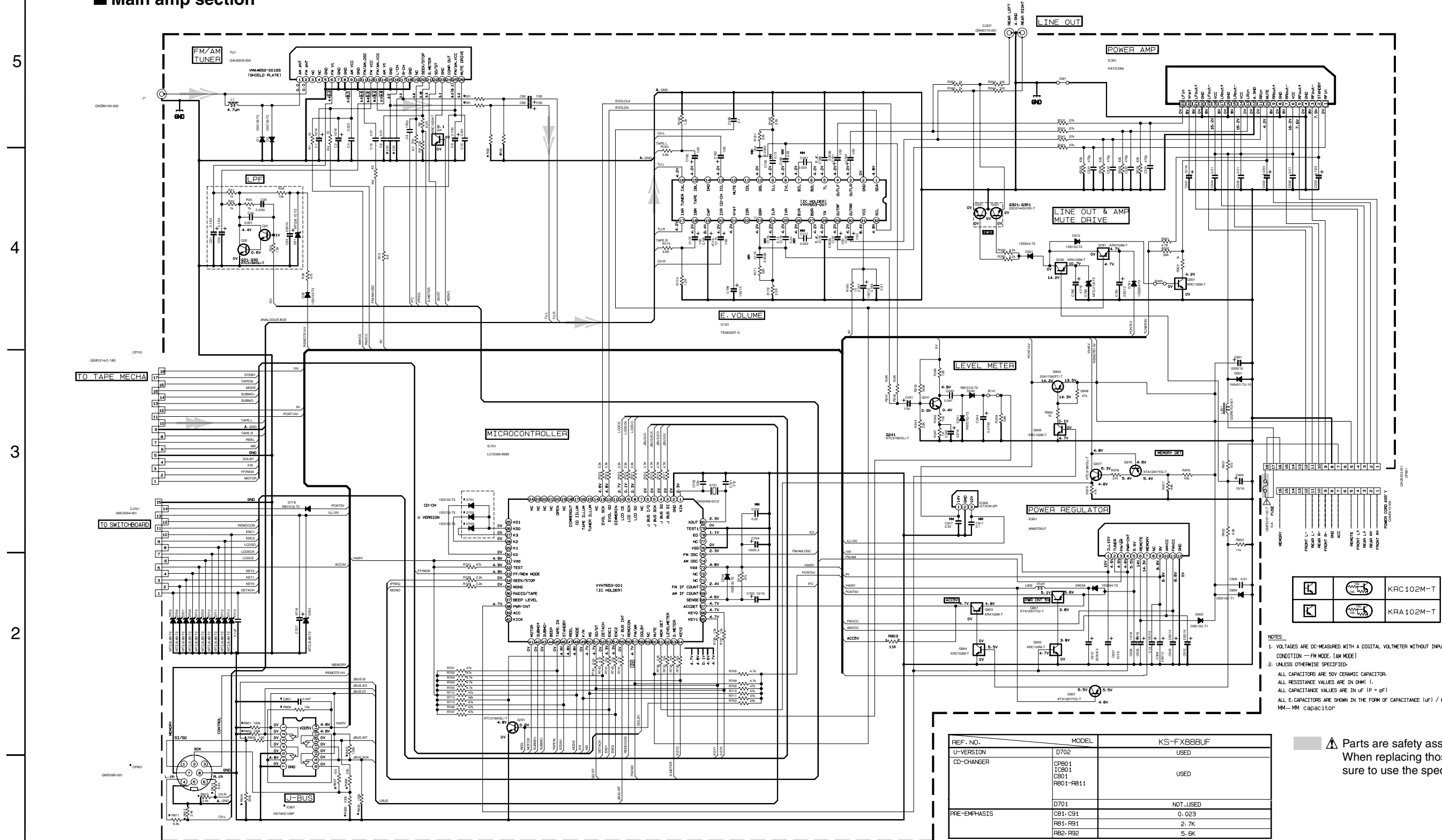
Block diagram



< MEMO >

Standard schematic diagrams

Main amp section



MAIN BOARD: GE10001

- NOTES
- VOLTAGES ARE DC-MEASURED WITH A DIGITAL VOLTMETER WITHOUT INPUT SIGNAL.
CONDITION -- FM MODE, 1AM MODE
 - UNLESS OTHERWISE SPECIFIED:
ALL CAPACITORS ARE 50V CERAMIC CAPACITOR.
ALL RESISTANCE VALUES ARE IN OHM (Ω).
ALL CAPACITANCE VALUES ARE IN uF (μF) / RATED VOLTAGE
MM--MM capacitor

⚠ Parts are safety assurance parts.
When replacing those parts make sure to use the specified one.

REF. NO.	MODEL	KS-FX888UF
U-VERSION	D702	USED
CD-CHANGER	CP801 IC801 CB01 RB01-RB11	USED
PRE-EMPHASIS	D701	NOT USED
	CB1, CB91	0.023
	RB1, RB91	2.7K
	RB2, RB92	5.6K

- ➔ TUNER SIGNAL
- ➔ TAPE SIGNAL
- ➔ CD CHANGER SIGNAL
- ➔ FRONT SIGNAL
- ➔ REAR SIGNAL

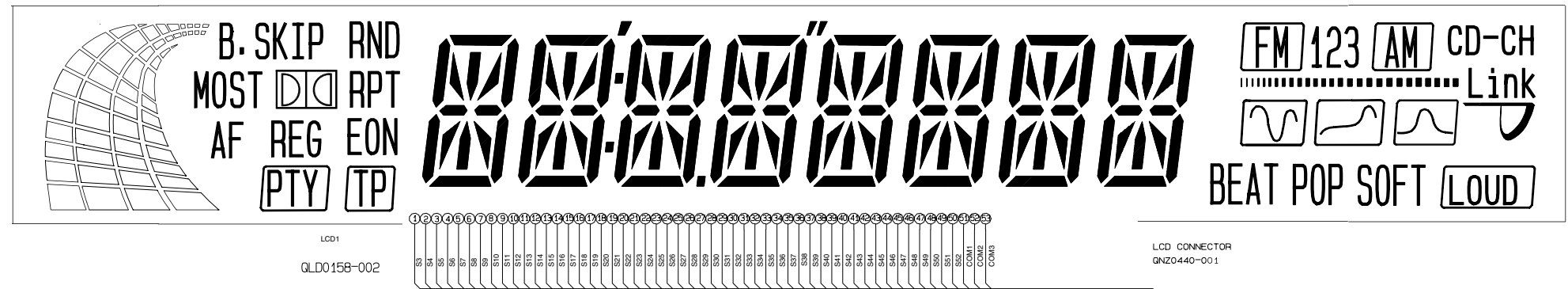
5
4
3
2
1

A B C D E F G 2-3

NOTES

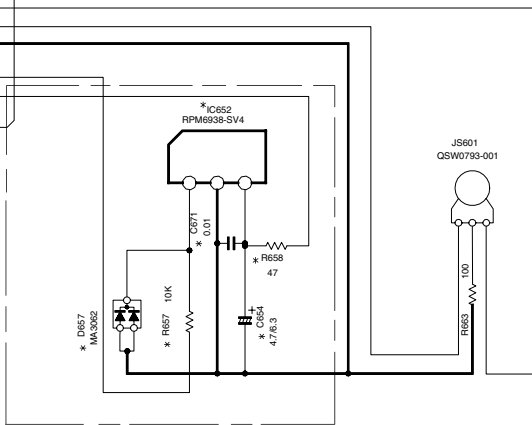
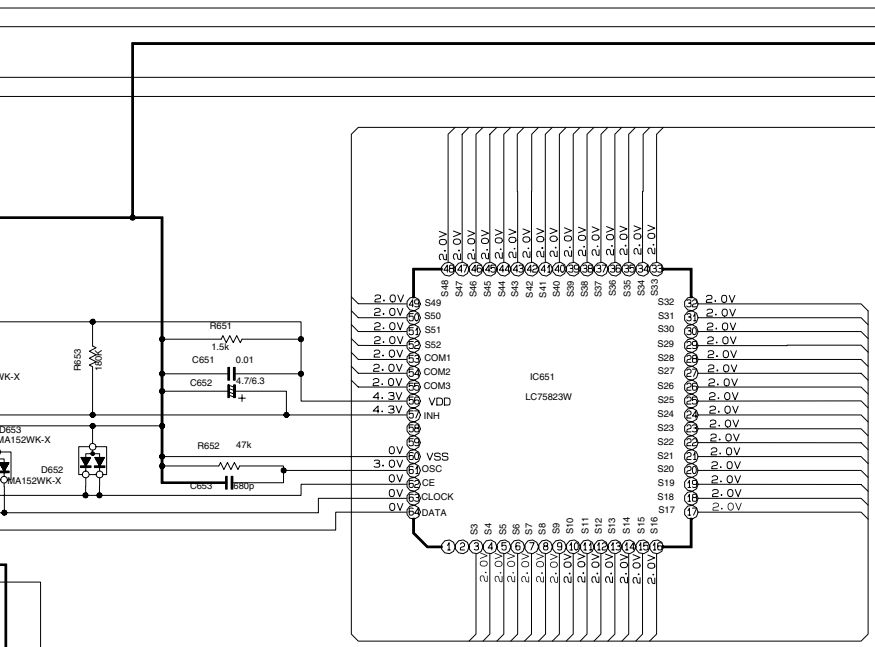
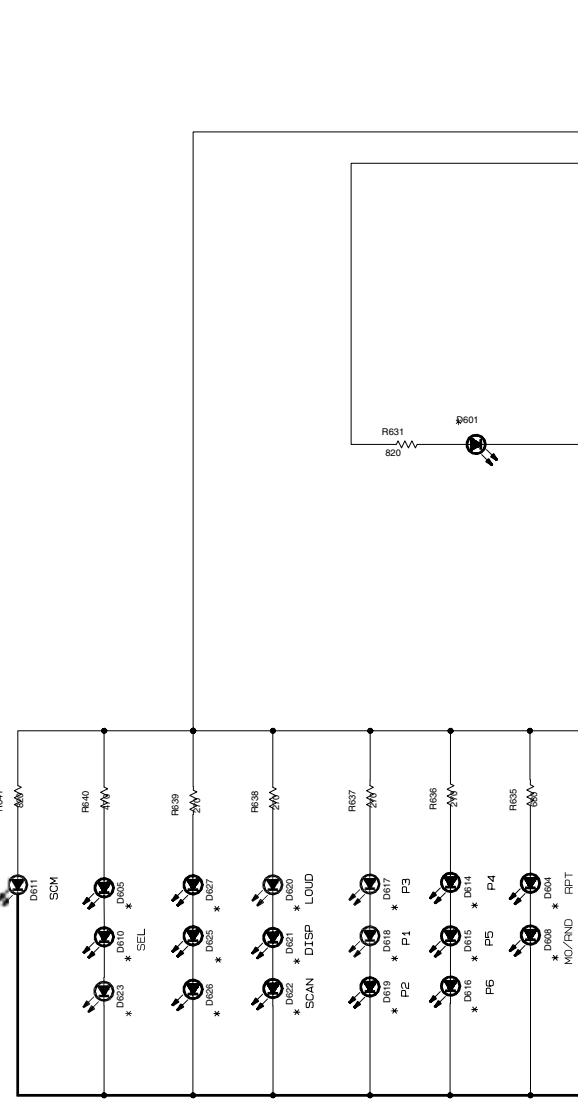
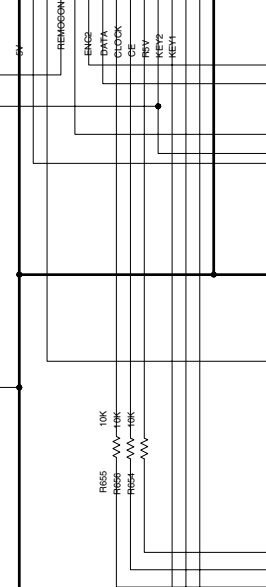
1. VOLTAGES ARE DC-MEASURED WITH A DIGITAL VOLT METER WITHOUT INPUT SIGNAL.
CONDITION - - - FM MODE
2. UNLESS OTHERWISE SPECIFIED:
ALL RESISTORS ARE 1/4W 5% CARBON RESISTOR OR 1/4W 1/10W 5% METAL GLAZE RESISTOR.
ALL CAPACITORS ARE 50V CERAMIC CAPACITOR.
ALL RESISTANCE VALUES ARE IN OHM (Ω).
ALL CAPACITANCE VALUES ARE IN μF (PpF).
ALL E. CAPACITORS ARE SHOWN IN THE FORM OF CAPACITANCE (μF) / RATED VOLTAGE (V).

LCD / KEY control section



LCD CONNECTOR
QNZ0440-001

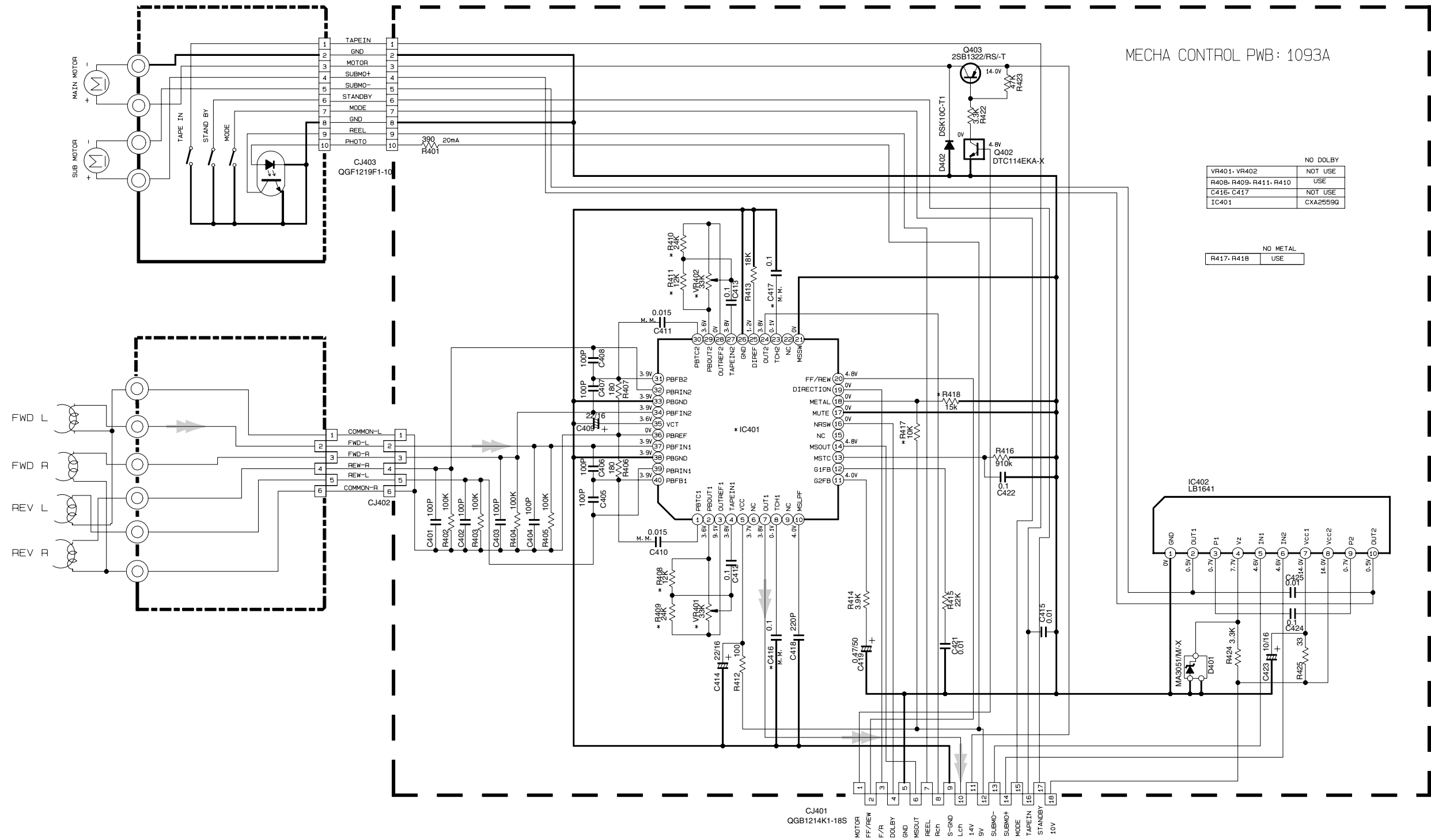
CP701
VM0335-001



VERSION	KS-FX888UF
REF. NO.	SML-310VT/JK/-X
D602 · D627	SML-310LT/MN/-X
D601	SML-310LT/MN/-X
D613	LAU00001/1-3/X

S601-S620 NSW0065-001X

Head amp. / Mecha control section



NOTES

- VOLTAGES ARE DC-MEASURED WITH A DIGITAL VOLT METER WITHOUT INPUT SIGNAL. CONDITION----TAPE MODE.
- UNLESS OTHERWISE SPECIFIED.
 - ALL RESISTORS ARE 1/4W ±5% OR 1/10W ±5% METAL GLAZE RESISTOR.
 - ALL CAPACITORS ARE 50V CERAMIC CAPACITOR.
 - ALL RESISTANCE VALUES ARE IN OHM(Ω).
 - ALL CAPACITANCE VALUES ARE IN #F(PpF).
 - ALL E-CAPACITORS ARE SHOWN IN THE FORM OF CAPACITANCE(#F)/RATED VOLTAGE(V)
 - M. M. -- M. M. CAPACITOR

➔ TAPE SIGNAL

5

4

3

2

1

A

B

C

D

E

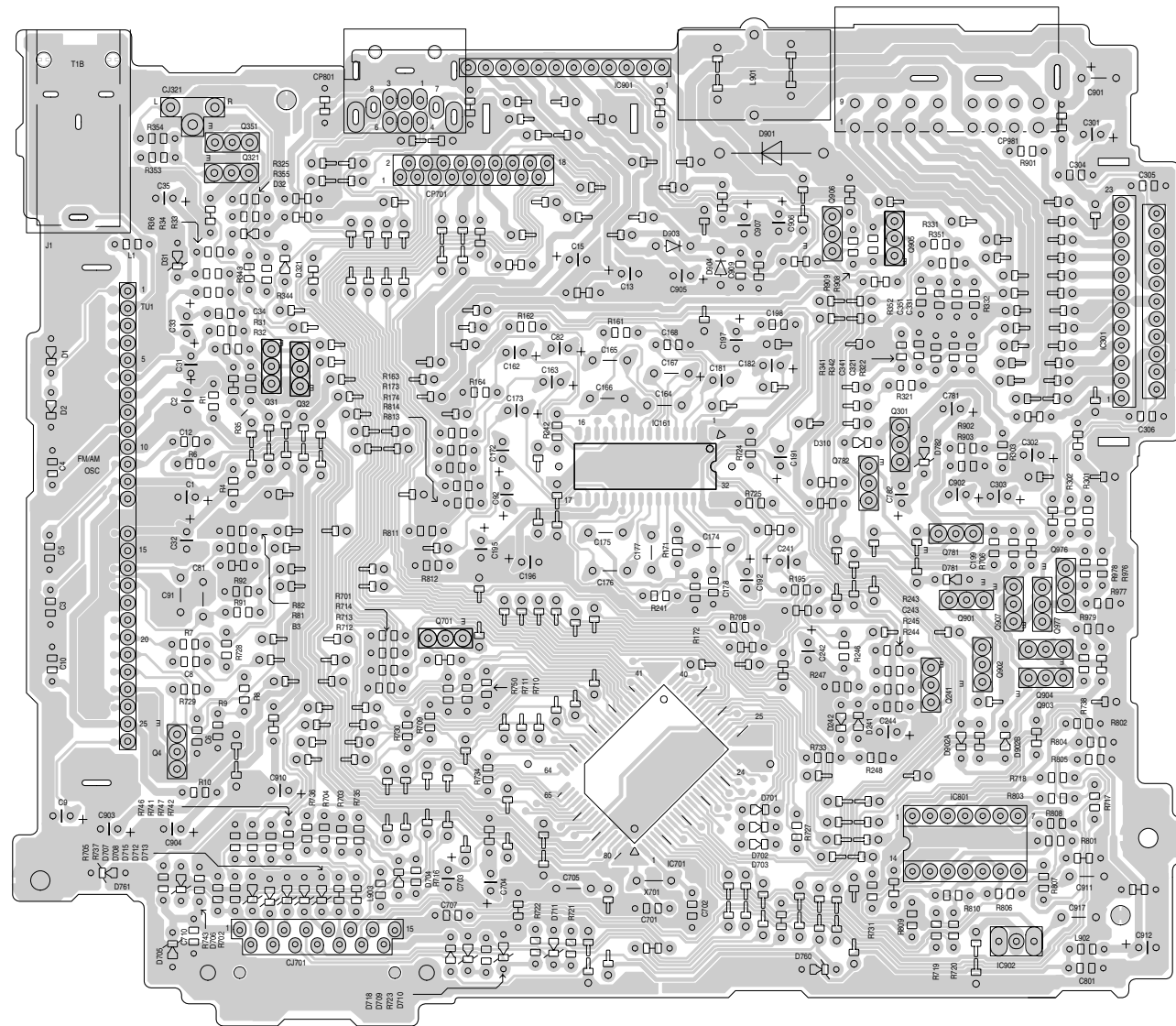
F

G

Printed circuit boards

5

■ Main board



4

3

2

1

A

B

C

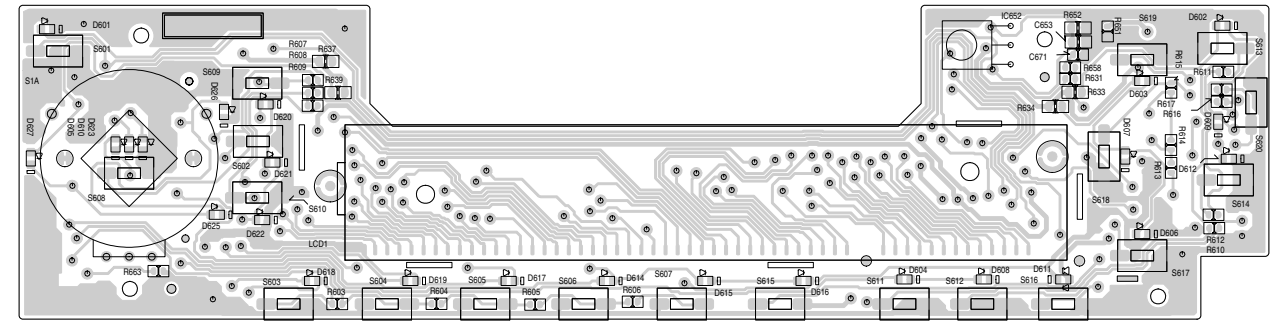
2-6 D

E

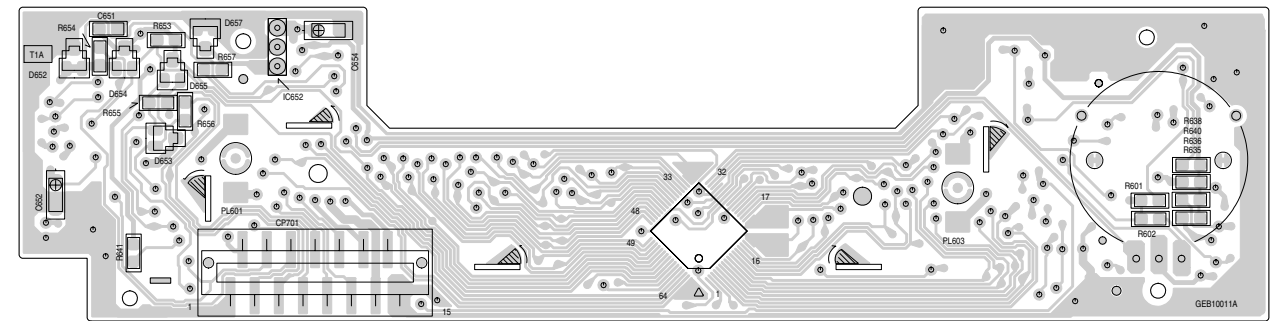
F

G

■ Front board (Foward side)



■ Front board (Reverse side)



■ Mecha control board

